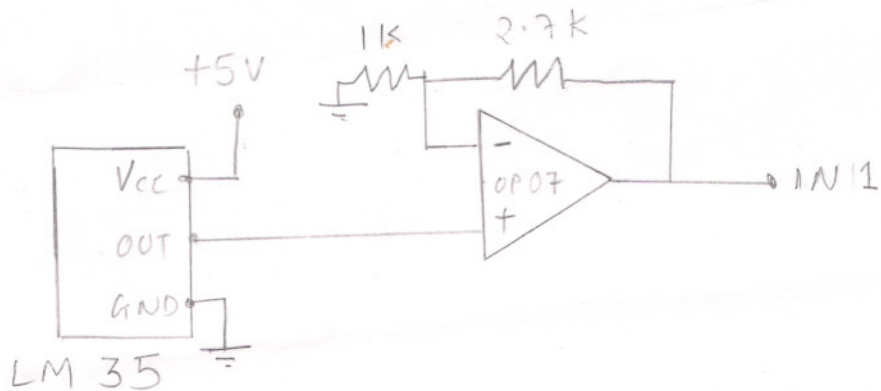
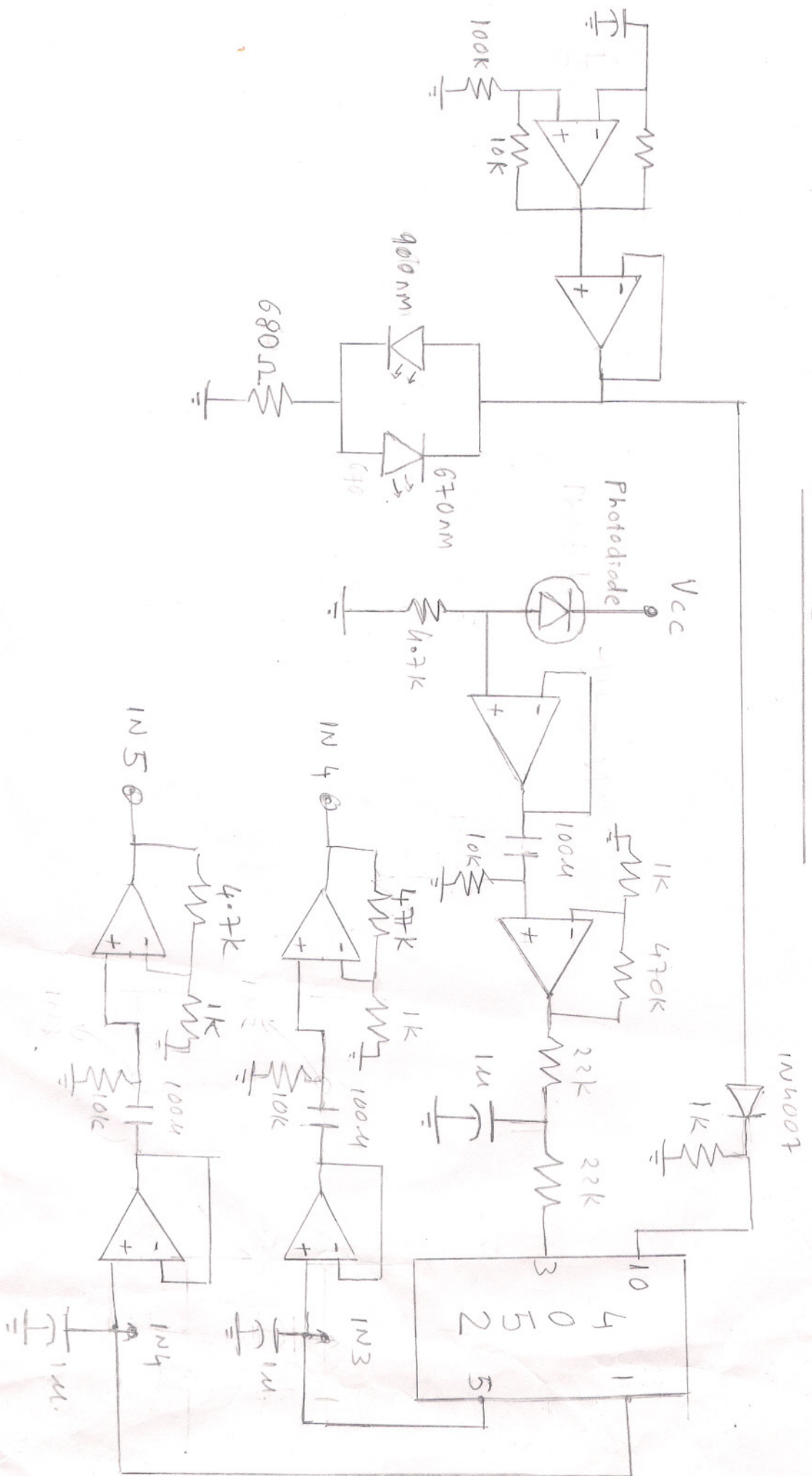


MICROCONTROLLER SECTION

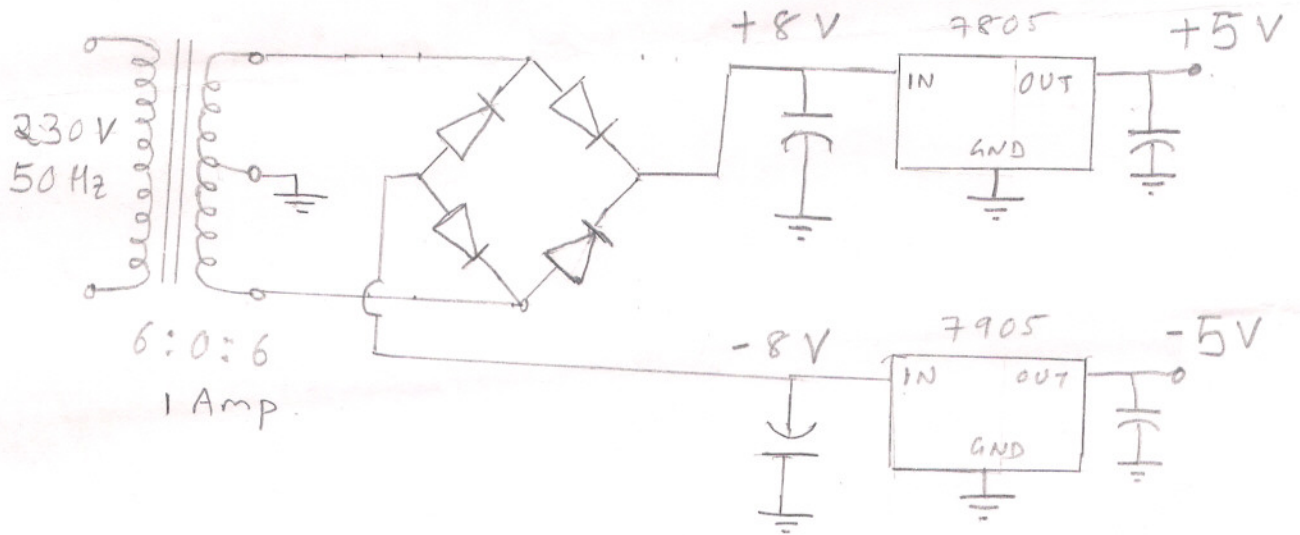


TEMPERATURE SECTION

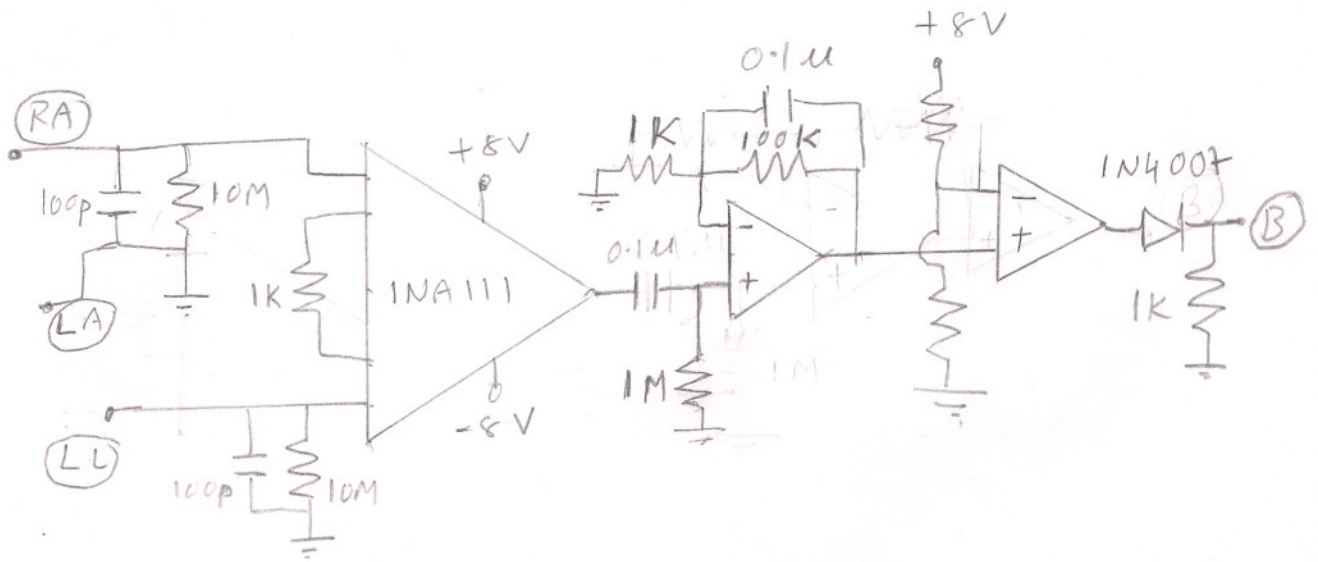
# SPO<sub>2</sub> SECTION



# CIRCUIT DIAGRAM



## POWER SUPPLY SECTION



## E.C.G. SECTION